



LED pendant mounted fixture with precision optics for smooth and uniform distribution. Ideal for retail settings, workspace lighting and other applications requiring a high output commercial grade downlight.

Color: Bronze

Weight: 18.0 lbs

<b>Project:</b>	<b>Type:</b>
<b>Prepared By:</b>	<b>Date:</b>

Driver Info		LED Info	
Type:	Constant Current	Watts:	52W
120V:	0.53A	Color Temp:	5000K
208V:	0.35A	Color Accuracy:	63 CRI
240V:	0.30A	L70 Lifespan:	100000
277V:	0.26A	Lumens:	4633
Input Watts:	58W	Efficacy:	80 LPW
Efficiency:	90%		

**Technical Specifications**

**Listings**

**UL Listing:**

Suitable for wet locations.

**Dark Sky Approved:**

The International Dark Sky Association has approved this product as a full cutoff, fully shielded luminaire.

**IESNA LM-79 & LM-80 Testing:**

RAB LED luminaires have been tested by an independent laboratory in accordance with IESNA LM-79 and LM-80, and have received the Department of Energy "Lighting Facts" label.

**LED Characteristics**

**Lifespan:**

100,000-hour LED lifespan based on IES LM-80 results and TM-21 calculations.

**LEDs:**

4x13W high-output, long-life LEDs.

**Color Consistency:**

7-step MacAdam Ellipse binning to achieve consistent fixture-to-fixture color.

**Color Stability:**

LED color temperature is warrantied to shift no more than 200K in CCT over a 5 year period.

**Color Uniformity:**

RAB's range of CCT (Correlated Color Temperature) follows the guidelines of the American National Standard for Specifications for the Chromaticity of Solid State Lighting (SSL) Products, ANSI C78.377-2017.

**Electrical**

**Drivers:**

2x26W Driver, Constant Current, Class 2, 100V-277V, 50/60 Hz, 6kv Surge Protection, 720mA, 100-277VAC 0.4 Amps., Power Factor 99%.

**THD:**

13.2% at 120V

**Construction**

**Cold Weather Starting:**

Minimum starting temperature is -40°C (-40°F)

**Housing:**

Precision die-cast aluminum housing and lens frame.

**Lens:**

Clear tempered glass lens

**Gaskets:**

High-temperature silicone

**Finish:**

Formulated for high-durability and long lasting color.

**Green Technology:**

Mercury and UV free. RoHS compliant components. Polyester powder coat finish formulated without the use of VOC or toxic heavy metals.

**Other**

**Patents:**

The design of PLED52 is protected by patents pending in US, Canada, China, Taiwan and Mexico.

**FTC Country of Origin:**

This product was assembled in the USA by RAB using imported components.

**Buy American Act Compliance:**

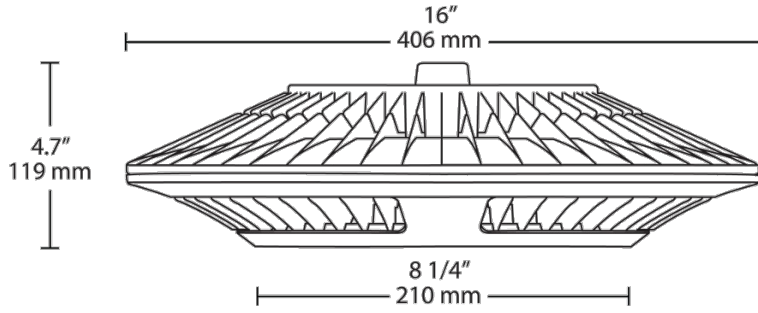
This product complies with the Buy American Act.

**Optical**

**BUG Rating:**

B2 U1 G1

## Dimensions



## Features

- Precision optics deliver uniform light distribution
- 100,000-hour LED lifespan
- 5-year warranty